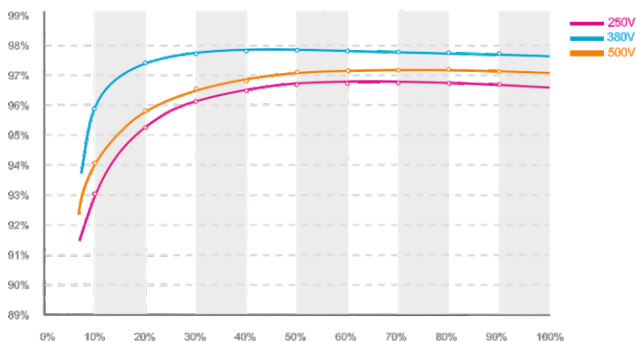


## Leading - edge Technology

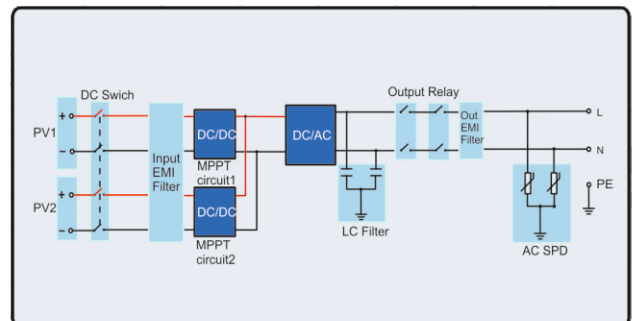
- ▶ Double MPPT Tracker, MPPT tracking accuracy more than 99.5%
- ▶ Max. Efficiency 97.9%, European Efficiency 97.4%
- ▶ Transformerless design and high power density offer lighter and more convenient installation
- ▶ 5 years standard warranty
- ▶ Power factor continuously adjustable
- ▶ Flexible communication connection, support RS485, WiFi, Ethernet
- ▶ Comply with European, Australia, Asia-Pacific safety regulations



Growatt 5500MTL-S efficiency



Growatt 2.5-5.5k MTL-S topology\*



\* Note: For Australia area, this series product don't contain DC switch but include a RJ45 port

## GROWATT NEW ENERGY TECHNOLOGY Co.,LTD

A: No.28 Guangming Road, Longteng Community, Shiyan, Baoan District, Shenzhen, P.R.China.

T: + 86 755 2747 1900

F: + 86 755 2749 1460

E: info@ginverter.com

### FOR ENQUIRY

## VRM Energy Consultancy Services Pvt. Ltd.

No.1, Rathinammal Street, Rangarajapuram Main Road,  
Kodambakkam, Chennai - 600 024

Mobile : +91 89399 80135

Website : www.vrmenergy.com | sales@vrmenergy.com

Datasheet	Growatt 2500MTL-S	Growatt 3000MTL-S	Growatt 3600MTL-S	Growatt 4200MTL-S	Growatt 5000MTL-S	Growatt 5500MTL-S
<b>Input Data</b>						
Max. recommended PV power (for module STC)	3250W	3900W	4680W	5460W	5980W	6500W
Max. DC voltage	500V	500V	550V	550V	550V	550V
Start voltage	100V	100V	100V	100V	100V	100V
PV voltage range	70V-500V	70V-500V	70V-550V	70V-550V	70V-550V	70V-550V
MPP work voltage range/nominal voltage	80V-500V /360V	80V-500V /360V	80V-550V /360V	80V-550V /360V	80V-550V /360V	80V-550V /360V
Full load dc voltage range	130V-450V	160V-450V	190V-500V	150V-500V	160V-500V	175V-500V
Max. input current of tracker A/ tracker B	10A/10A	10A/10A	10A/10A	15A/15A	15A/15A	15A/15A
Max. input current per string of tracker A/tracker B	10A/10A	10A/10A	10A/10A	15A/15A	15A/15A	15A/15A
Number of independent MPP trackers / strings per MPP tracker	2/1	2/1	2/1	2/1	2/1	2/1
<b>Output (AC)</b>						
Rated AC output power	2500W	3000W	3600W	4200W	4600W	5000W
Max. AC apparent power	2500VA	3000VA	3600VA	4200VA	4600VA	5000VA
Max. output current	11.3A	13.6A	16.3A	19A	20.9A	22.7A
AC nominal voltage; range	220V/230V /240V; 180Vac-280Vac	220V/230V/240V; 180Vac - 280Vac	220V/230V/240V; 180Vac - 280Vac	220V,230V,240V; 180Vac - 280Vac	220V,230V,240V; 180Vac - 280Vac	220V,230V,240V; 180Vac - 280Vac
AC grid frequency; range	50Hz,60Hz / ± 5Hz	50Hz,60Hz±5Hz	50Hz,60Hz±5Hz	50Hz,60Hz±5Hz	50Hz,60Hz±5Hz	50Hz,60Hz±5Hz
Phase factor at rated power	1	1	1	1	1	1
Displacement power factor configurable	0.8leading... 0.8lagging	0.8leading... 0.8lagging	0.8leading... 0.8lagging	0.8leading... 0.8lagging	0.8leading... 0.8lagging	0.8leading... 0.8lagging
THDi	<3%	<3%	<3%	<3%	<3%	<3%
AC connection	Single phase	Single phase	Single phase	Single phase	Single phase	Single phase
<b>Efficiency</b>						
Max. efficiency	97.6%	97.6%	97.9%	97.9%	97.9%	97.9%
Euro weighted efficiency	97%	97%	97.4%	97.4%	97.4%	97.4%
MPPT efficiency	99.5%	99.5%	99.5%	99.5%	99.5%	99.5%
<b>Protection Devices</b>						
DC reverse polarity protection	yes	yes	yes	yes	yes	yes
DC switch	opt	opt	opt	opt	opt	opt
Output over current protection	yes	yes	yes	yes	yes	yes
Output over voltage protection-varistor	yes	yes	yes	yes	yes	yes
Ground fault monitoring	yes	yes	yes	yes	yes	yes
Grid monitoring	yes	yes	yes	yes	yes	yes
Integrated all - pole sensitive leakage current monitoring unit	yes	yes	yes	yes	yes	yes
<b>General Data</b>						
Dimensions (W / H / D) in mm	355*419*138	355*419*138	355*419*138	355*419*138	355*419*158	355*419*158
Weight	14KG	14KG	14KG	14KG	14.5KG	14.5KG
Operating temperature range	- 25°C ... +60°C	- 25°C ... +60°C	- 25°C ... +60°C	- 25°C ... +60°C	- 25°C ... +60°C	- 25°C ... +60°C
Noise emission (typical)	≤25 dB(A)	≤25 dB(A)	≤25 dB(A)	≤ 25 dB(A)	≤25 dB(A)	≤ 25 dB(A)
Altitude	2000m without derating	2000m without derating	2000m without derating	2000m without derating	2000m without derating	2000m without derating
Self-Consumption night	< 0.5 W	< 0.5 W	< 0.5 W	< 0.5 W	< 0.5 W	< 0.5 W
Topology	Transformerless	Transformerless	Transformerless	Transformerless	Transformerless	Transformerless
Cooling concept	Natural	Natural	Natural	Natural	Natural	Natural
Environmental Protection Rating	IP65	IP65	IP65	IP65	IP65	IP65
Relative humidity	100%	100%	100%	100%	100%	100%
<b>Features</b>						
DC connection	H4/MC4(opt)	H4/MC4(opt)	H4/MC4(opt)	H4/MC4(opt)	H4/MC4(opt)	H4/MC4(opt)
AC connection	Connector	Connector	Connector	Connector	Connector	Connector
Display	LCD	LCD	LCD	LCD	LCD	LCD
Interfaces: RS232 RJ45/ RF / Wi-Fi / LAN / GPRS	yes/ yes/opt / opt / opt / opt	yes / yes / opt / opt / opt / opt	yes / yes / opt / opt / opt / opt	yes / yes / opt / opt / opt / opt	yes / yes / opt / opt / opt / opt	yes / yes / opt / opt / opt / opt
Warranty: 5 years / 10 years	yes / opt	yes / opt	yes / opt	yes / opt	yes / opt	yes / opt
<b>Certificates and Approvals</b>						

CE, IEC62109, G83, VDE0126-1-1, UTE C 15-712,G59, AS4777, AS/NZS 3100, CEI0-21, VDE-AR-N4105, EN50438, CQC, IEC 61683, IEC 60068, IEC 61727, IEC 61728, IEC 61729, IEC 61730, IEC 61731, IEC 61732, IEC 61733, IEC 61734, IEC 61735, IEC 61736, IEC 61737, IEC 61738, IEC 61739, IEC 61740, IEC 61741, IEC 61742, IEC 61743, IEC 61744, IEC 61745, IEC 61746, IEC 61747, IEC 61748, IEC 61749, IEC 61750, IEC 61751, IEC 61752, IEC 61753, IEC 61754, IEC 61755, IEC 61756, IEC 61757, IEC 61758, IEC 61759, IEC 61760, IEC 61761, IEC 61762, IEC 61763, IEC 61764, IEC 61765, IEC 61766, IEC 61767, IEC 61768, IEC 61769, IEC 61770, IEC 61771, IEC 61772, IEC 61773, IEC 61774, IEC 61775, IEC 61776, IEC 61777, IEC 61778, IEC 61779, IEC 61780, IEC 61781, IEC 61782, IEC 61783, IEC 61784, IEC 61785, IEC 61786, IEC 61787, IEC 61788, IEC 61789, IEC 61790, IEC 61791, IEC 61792, IEC 61793, IEC 61794, IEC 61795, IEC 61796, IEC 61797, IEC 61798, IEC 61799, IEC 61800, IEC 61801, IEC 61802, IEC 61803, IEC 61804, IEC 61805, IEC 61806, IEC 61807, IEC 61808, IEC 61809, IEC 61810, IEC 61811, IEC 61812, IEC 61813, IEC 61814, IEC 61815, IEC 61816, IEC 61817, IEC 61818, IEC 61819, IEC 61820, IEC 61821, IEC 61822, IEC 61823, IEC 61824, IEC 61825, IEC 61826, IEC 61827, IEC 61828, IEC 61829, IEC 61830, IEC 61831, IEC 61832, IEC 61833, IEC 61834, IEC 61835, IEC 61836, IEC 61837, IEC 61838, IEC 61839, IEC 61840, IEC 61841, IEC 61842, IEC 61843, IEC 61844, IEC 61845, IEC 61846, IEC 61847, IEC 61848, IEC 61849, IEC 61850, IEC 61851, IEC 61852, IEC 61853, IEC 61854, IEC 61855, IEC 61856, IEC 61857, IEC 61858, IEC 61859, IEC 61860, IEC 61861, IEC 61862, IEC 61863, IEC 61864, IEC 61865, IEC 61866, IEC 61867, IEC 61868, IEC 61869, IEC 61870, IEC 61871, IEC 61872, IEC 61873, IEC 61874, IEC 61875, IEC 61876, IEC 61877, IEC 61878, IEC 61879, IEC 61880, IEC 61881, IEC 61882, IEC 61883, IEC 61884, IEC 61885, IEC 61886, IEC 61887, IEC 61888, IEC 61889, IEC 61890, IEC 61891, IEC 61892, IEC 61893, IEC 61894, IEC 61895, IEC 61896, IEC 61897, IEC 61898, IEC 61899, IEC 61900, IEC 61901, IEC 61902, IEC 61903, IEC 61904, IEC 61905, IEC 61906, IEC 61907, IEC 61908, IEC 61909, IEC 61910, IEC 61911, IEC 61912, IEC 61913, IEC 61914, IEC 61915, IEC 61916, IEC 61917, IEC 61918, IEC 61919, IEC 61920, IEC 61921, IEC 61922, IEC 61923, IEC 61924, IEC 61925, IEC 61926, IEC 61927, IEC 61928, IEC 61929, IEC 61930, IEC 61931, IEC 61932, IEC 61933, IEC 61934, IEC 61935, IEC 61936, IEC 61937, IEC 61938, IEC 61939, IEC 61940, IEC 61941, IEC 61942, IEC 61943, IEC 61944, IEC 61945, IEC 61946, IEC 61947, IEC 61948, IEC 61949, IEC 61950, IEC 61951, IEC 61952, IEC 61953, IEC 61954, IEC 61955, IEC 61956, IEC 61957, IEC 61958, IEC 61959, IEC 61960, IEC 61961, IEC 61962, IEC 61963, IEC 61964, IEC 61965, IEC 61966, IEC 61967, IEC 61968, IEC 61969, IEC 61970, IEC 61971, IEC 61972, IEC 61973, IEC 61974, IEC 61975, IEC 61976, IEC 61977, IEC 61978, IEC 61979, IEC 61980, IEC 61981, IEC 61982, IEC 61983, IEC 61984, IEC 61985, IEC 61986, IEC 61987, IEC 61988, IEC 61989, IEC 61990, IEC 61991, IEC 61992, IEC 61993, IEC 61994, IEC 61995, IEC 61996, IEC 61997, IEC 61998, IEC 61999, IEC 62000, IEC 62001, IEC 62002, IEC 62003, IEC 62004, IEC 62005, IEC 62006, IEC 62007, IEC 62008, IEC 62009, IEC 62010, IEC 62011, IEC 62012, IEC 62013, IEC 62014, IEC 62015, IEC 62016, IEC 62017, IEC 62018, IEC 62019, IEC 62020, IEC 62021, IEC 62022, IEC 62023, IEC 62024, IEC 62025, IEC 62026, IEC 62027, IEC 62028, IEC 62029, IEC 62030, IEC 62031, IEC 62032, IEC 62033, IEC 62034, IEC 62035, IEC 62036, IEC 62037, IEC 62038, IEC 62039, IEC 62040, IEC 62041, IEC 62042, IEC 62043, IEC 62044, IEC 62045, IEC 62046, IEC 62047, IEC 62048, IEC 62049, IEC 62050, IEC 62051, IEC 62052, IEC 62053, IEC 62054, IEC 62055, IEC 62056, IEC 62057, IEC 62058, IEC 62059, IEC 62060, IEC 62061, IEC 62062, IEC 62063, IEC 62064, IEC 62065, IEC 62066, IEC 62067, IEC 62068, IEC 62069, IEC 62070, IEC 62071, IEC 62072, IEC 62073, IEC 62074, IEC 62075, IEC 62076, IEC 62077, IEC 62078, IEC 62079, IEC 62080, IEC 62081, IEC 62082, IEC 62083, IEC 62084, IEC 62085, IEC 62086, IEC 62087, IEC 62088, IEC 62089, IEC 62090, IEC 62091, IEC 62092, IEC 62093, IEC 62094, IEC 62095, IEC 62096, IEC 62097, IEC 62098, IEC 62099, IEC 62100, IEC 62101, IEC 62102, IEC 62103, IEC 62104, IEC 62105, IEC 62106, IEC 62107, IEC 62108, IEC 62109, IEC 62110, IEC 62111, IEC 62112, IEC 62113, IEC 62114, IEC 62115, IEC 62116, IEC 62117, IEC 62118, IEC 62119, IEC 62120, IEC 62121, IEC 62122, IEC 62123, IEC 62124, IEC 62125, IEC 62126, IEC 62127, IEC 62128, IEC 62129, IEC 62130, IEC 62131, IEC 62132, IEC 62133, IEC 62134, IEC 62135, IEC 62136, IEC 62137, IEC 62138, IEC 62139, IEC 62140, IEC 62141, IEC 62142, IEC 62143, IEC 62144, IEC 62145, IEC 62146, IEC 62147, IEC 62148, IEC 62149, IEC 62150, IEC 62151, IEC 62152, IEC 62153, IEC 62154, IEC 62155, IEC 62156, IEC 62157, IEC 62158, IEC 62159, IEC 62160, IEC 62161, IEC 62162, IEC 62163, IEC 62164, IEC 62165, IEC 62166, IEC 62167, IEC 62168, IEC 62169, IEC 62170, IEC 62171, IEC 62172, IEC 62173, IEC 62174, IEC 62175, IEC 62176, IEC 62177, IEC 62178, IEC 62179, IEC 62180, IEC 62181, IEC 62182, IEC 62183, IEC 62184, IEC 62185, IEC 62186, IEC 62187, IEC 62188, IEC 62189, IEC 62190, IEC 62191, IEC 62192, IEC 62193, IEC 62194, IEC 62195, IEC 62196, IEC 62197, IEC 62198, IEC 62199, IEC 62200, IEC 62201, IEC 62202, IEC 62203, IEC 62204, IEC 62205, IEC 62206, IEC 62207, IEC 62208, IEC 62209, IEC 62210, IEC 62211, IEC 62212, IEC 62213, IEC 62214, IEC 62215, IEC 62216, IEC 62217, IEC 62218, IEC 62219, IEC 62220, IEC 62221, IEC 62222, IEC 62223, IEC 62224, IEC 62225, IEC 62226, IEC 62227, IEC 62228, IEC 62229, IEC 62230, IEC 62231, IEC 62232, IEC 62233, IEC 62234, IEC 62235, IEC 62236, IEC 62237, IEC 62238, IEC 62239, IEC 62240, IEC 62241, IEC 62242, IEC 62243, IEC 62244, IEC 62245, IEC 62246, IEC 62247, IEC 62248, IEC 62249, IEC 62250, IEC 62251, IEC 62252, IEC 62253, IEC 62254, IEC 62255, IEC 62256, IEC 62257, IEC 62258, IEC 62259, IEC 62260, IEC 62261, IEC 62262, IEC 62263, IEC 62264, IEC 62265, IEC 62266, IEC 62267, IEC 62268, IEC 62269, IEC 62270, IEC 62271, IEC 62272, IEC 62273, IEC 62274, IEC 62275, IEC 62276, IEC 62277, IEC 62278, IEC 62279, IEC 62280, IEC 62281, IEC 62282, IEC 62283, IEC 62284, IEC 62285, IEC 62286, IEC 62287, IEC 62288, IEC 62289, IEC 62290, IEC 62291, IEC 62292, IEC 62293, IEC 62294, IEC 62295, IEC 62296, IEC 62297, IEC 62298, IEC 62299, IEC 62300, IEC 62301, IEC 62302, IEC 62303, IEC 62304, IEC 62305, IEC 62306, IEC 62307, IEC 62308, IEC 62309, IEC 62310, IEC 62311, IEC 62312, IEC 62313, IEC 62314, IEC 62315, IEC 62316, IEC 62317, IEC 62318, IEC 62319, IEC 62320, IEC 62321, IEC 62322, IEC 62323, IEC 62324, IEC 62325, IEC 62326, IEC 62327, IEC 62328, IEC 62329, IEC 62330, IEC 62331, IEC 62332, IEC 62333, IEC 62334, IEC 62335, IEC 62336, IEC 62337, IEC 62338, IEC 62339, IEC 62340, IEC 62341, IEC 62342, IEC 62343, IEC 62344, IEC 62345, IEC 62346, IEC 62347, IEC 62348, IEC 62349, IEC 62350, IEC 62351, IEC 62352, IEC 62353, IEC 62354, IEC 62355, IEC 62356, IEC 62357, IEC 62358, IEC 62359, IEC 62360, IEC 62361, IEC 62362, IEC 62363, IEC 62364, IEC 62365, IEC 62366, IEC 62367, IEC 62368, IEC 62369, IEC 62370, IEC 62371, IEC 62372, IEC 62373, IEC 62374, IEC 62375, IEC 62376, IEC 62377, IEC 62378, IEC 62379, IEC 62380, IEC 62381, IEC 62382, IEC 62383, IEC 62384, IEC 62385, IEC 62386, IEC 62387, IEC 62388, IEC 62389, IEC 62390, IEC 62391, IEC 62392, IEC 62393, IEC 62394, IEC 62395, IEC 62396, IEC 62397, IEC 62398, IEC 62399, IEC 62400, IEC 62401, IEC 62402, IEC 62403, IEC 62404, IEC 62405, IEC 62406, IEC 62407, IEC 62408, IEC 62409, IEC 62410, IEC 62411, IEC 62412, IEC 62413, IEC 62414, IEC 62415, IEC 62416, IEC 62417, IEC 62418, IEC 62419, IEC 62420, IEC 62421, IEC 62422, IEC 62423, IEC 62424, IEC 62425, IEC 62426, IEC 62427, IEC 62428, IEC 62429, IEC 62430, IEC 62431, IEC 62432, IEC 62433, IEC 62434, IEC 62435, IEC 62436, IEC 62437, IEC 62438, IEC 62439, IEC 62440, IEC 62441, IEC 62442, IEC 62443, IEC 62444, IEC 62445, IEC 62446, IEC 62447, IEC 62448, IEC 62449, IEC 62450, IEC 62451, IEC 62452, IEC 62453, IEC 62454, IEC 62455, IEC 62456, IEC 62457, IEC 62458, IEC 62459, IEC 62460, IEC 62461, IEC 62462, IEC 62463, IEC 62464, IEC 62465, IEC 62466, IEC 62467, IEC 62468, IEC 62469, IEC 62470, IEC 62471, IEC 62472, IEC 62473, IEC 62474, IEC 62475, IEC 62476, IEC 62477, IEC 62478, IEC 62479, IEC 62480, IEC 62481, IEC 62482, IEC 62483, IEC 62484, IEC 62485, IEC 62486, IEC 62487, IEC 62488, IEC 62489, IEC 62490, IEC 62491, IEC 62492, IEC 62493, IEC 62494, IEC 62495, IEC 62496, IEC 62497, IEC 62498, IEC 62499, IEC 62500, IEC 62501, IEC 62502, IEC 62503, IEC 62504, IEC 62505, IEC 62506, IEC 62507, IEC 62508, IEC 62509, IEC 62510, IEC 62511, IEC 62512, IEC 62513, IEC 62514, IEC 62515, IEC 62516, IEC 62517, IEC 62518, IEC 62519, IEC 62520, IEC 62521, IEC 62522, IEC 62523, IEC 62524, IEC 62525, IEC 62526, IEC 62527, IEC 62528, IEC 62529, IEC 62530, IEC 62531, IEC 62532, IEC 62533, IEC 62534, IEC 62535, IEC 62536, IEC 62537, IEC 62538, IEC 62539, IEC 62540, IEC 62541, IEC 62542, IEC 62543, IEC 62544, IEC 62545, IEC 62546, IEC 62547, IEC 62548, IEC 62549, IEC 62550, IEC 62551, IEC 62552, IEC 62553, IEC 62554, IEC 62555, IEC 62556, IEC 62557, IEC 62558, IEC 62559, IEC 62560, IEC 62561, IEC 62562, IEC 62563, IEC 62564, IEC 62565, IEC 62566, IEC 62567, IEC 62568, IEC 62569, IEC 62570, IEC 62571, IEC 62572, IEC 62573, IEC 62574, IEC 62575, IEC 62576, IEC 62577, IEC 62578, IEC 62579, IEC 62580, IEC 62581, IEC 62582, IEC 62583, IEC 62584, IEC 62585, IEC 62586, IEC 62587, IEC 62588, IEC 62589, IEC 62590, IEC 62591, IEC 62592, IEC 62593, IEC 62594, IEC 62595, IEC 62596, IEC 62597, IEC 62598, IEC 62599, IEC 62600, IEC 62601, IEC 62602, IEC 62603, IEC 62604, IEC 62605, IEC 62606, IEC 62607, IEC 62608, IEC 62609, IEC 62610, IEC 62611, IEC 62612, IEC 62613, IEC 62614, IEC 62615, IEC 62616, IEC 62617, IEC 62618, IEC 62619, IEC 62620, IEC 62621, IEC 62622, IEC 62623, IEC 62624, IEC 62625, IEC 62626, IEC 62627, IEC 62628, IEC 62629, IEC 62630, IEC 62631, IEC 62632, IEC 62633, IEC 62634, IEC 62635, IEC 62636, IEC 62637, IEC 62638, IEC 62639, IEC 6